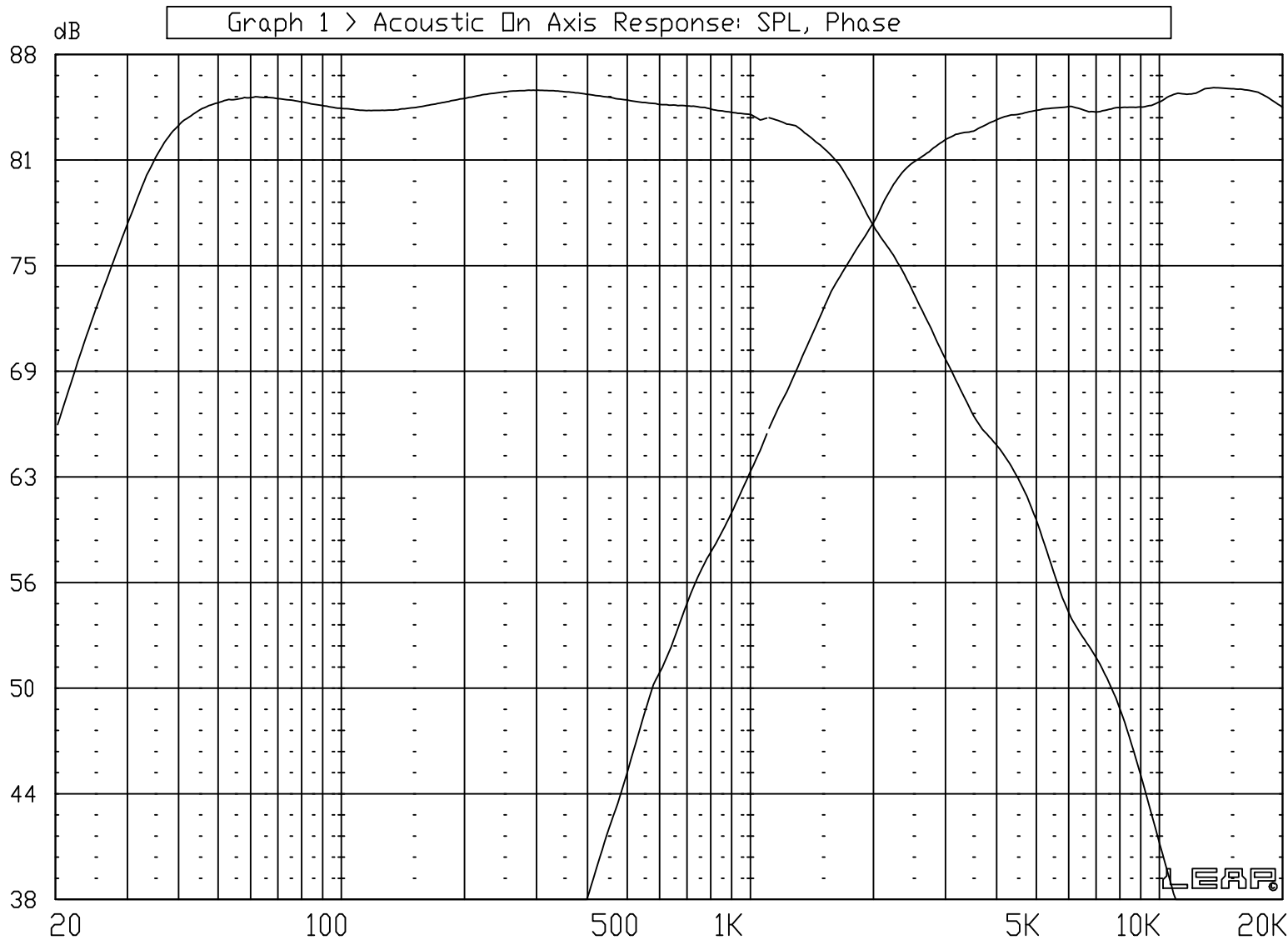


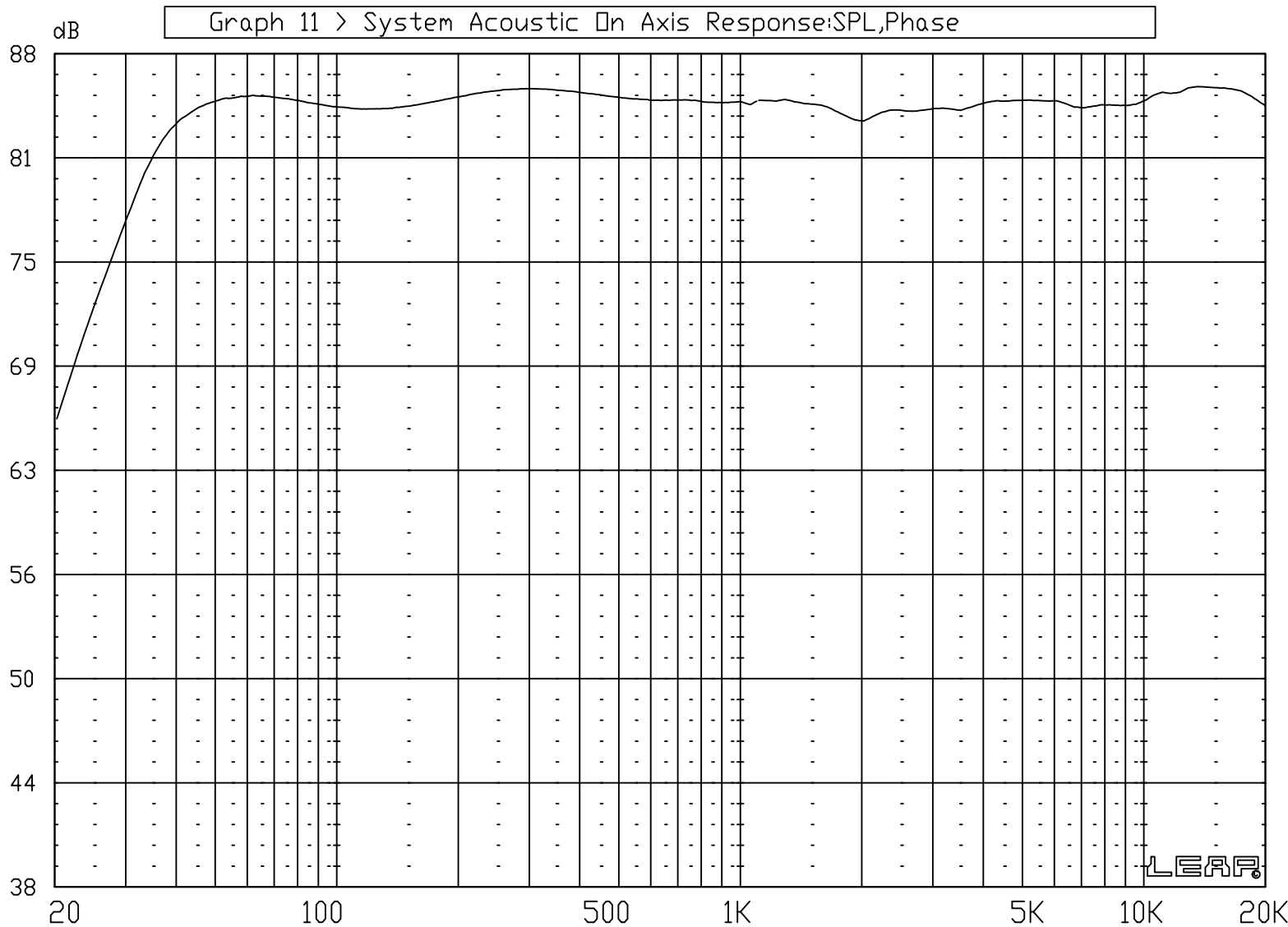
— DGL Entry:17, Name:18W/4531G TZD SPLD Anechoic

— DGL Entry: 6, Name:D2608/9130 VZD SPLD



— DGL Entry:17, Name:18W/4531G TZD SPLD Anechoic

— DGL Entry: 6, Name:D2608/9130 VZD SPLD

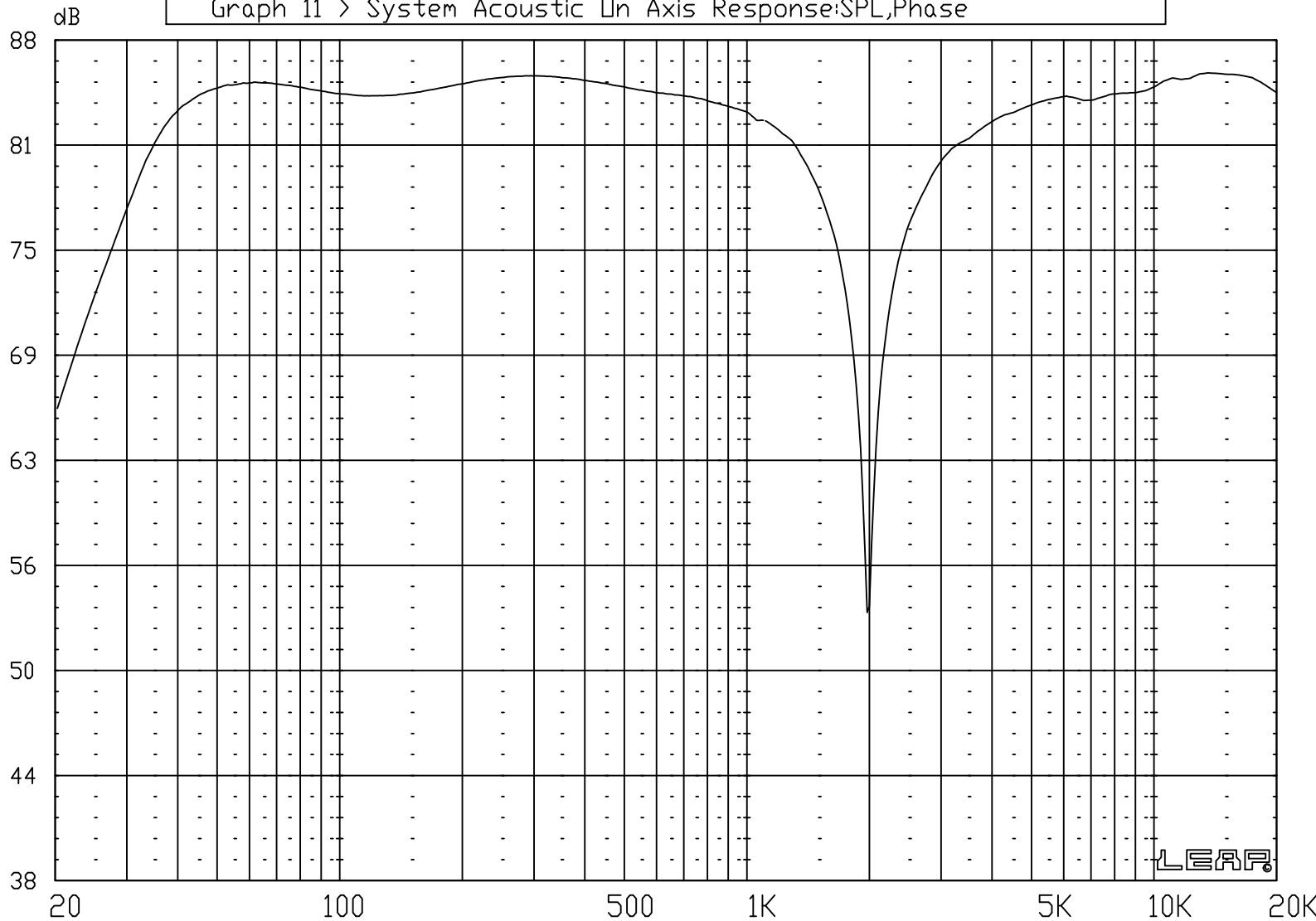


— DGL Entry:17, Name:18W/4531G TZD SPLD Anechoic

— DGL Entry: 6, Name:D2608/9130 VZD SPLD

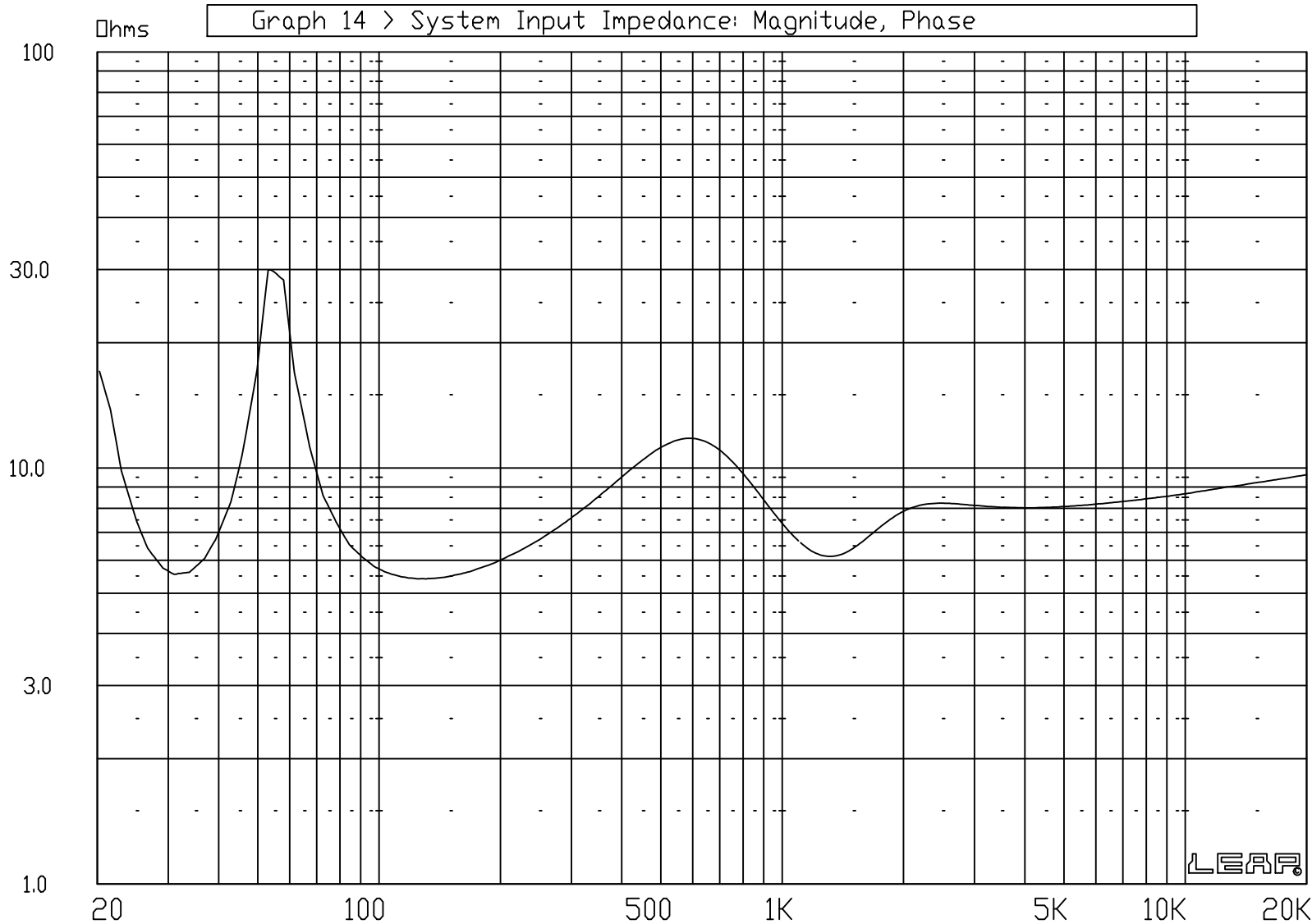
W+ / T-

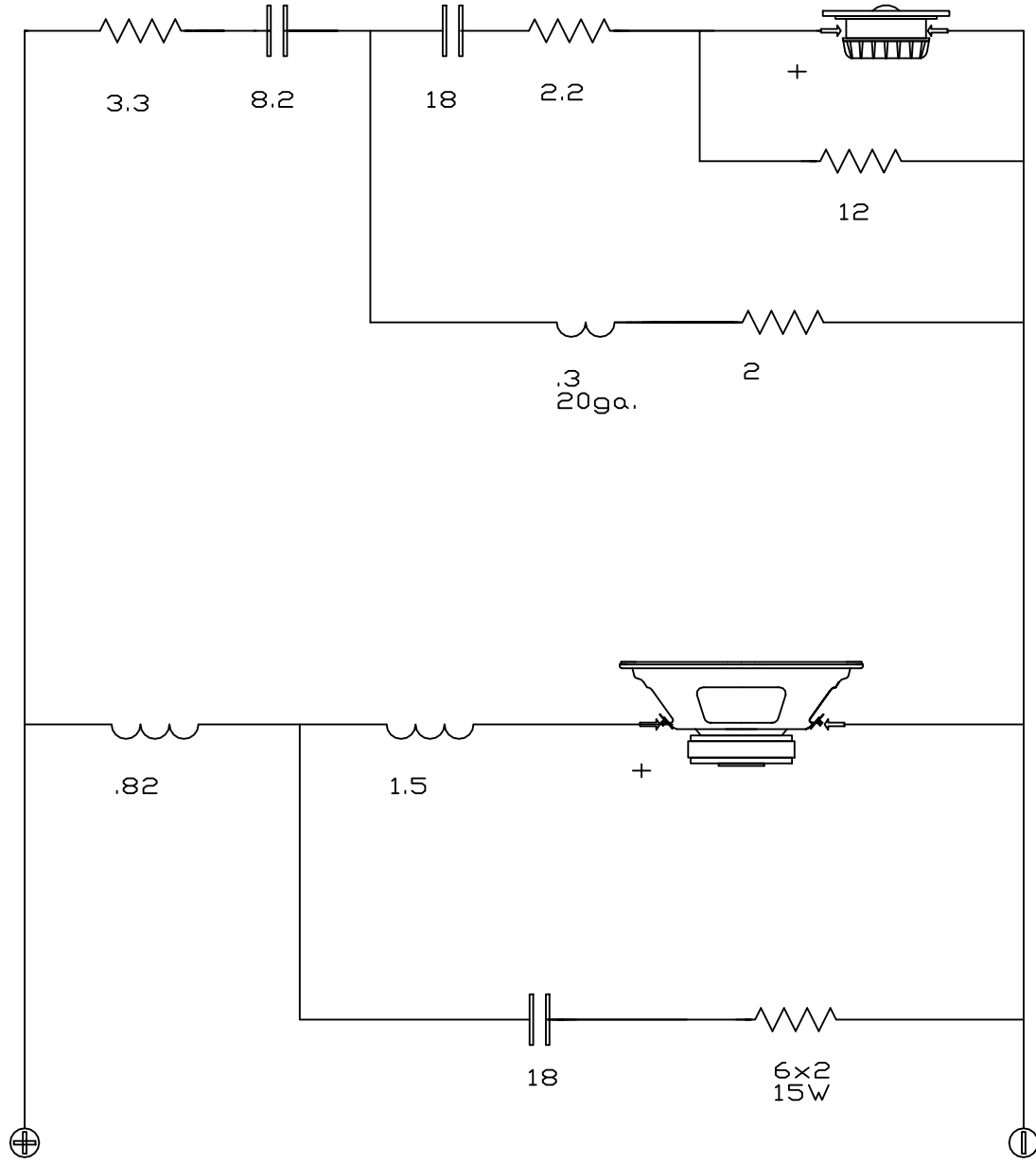
Graph 11 > System Acoustic On Axis Response:SPL,Phase



— DGL Entry:17, Name:18W/4531G TZD SPLD Anechoic

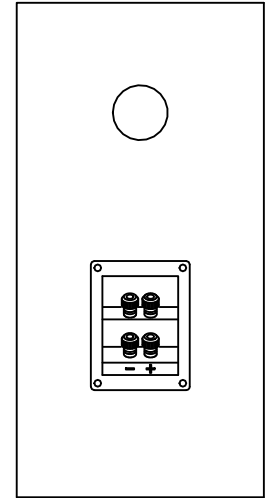
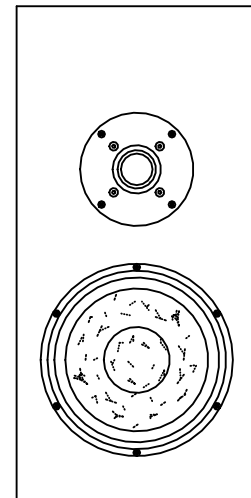
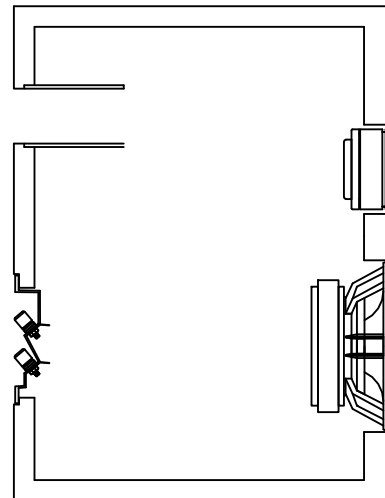
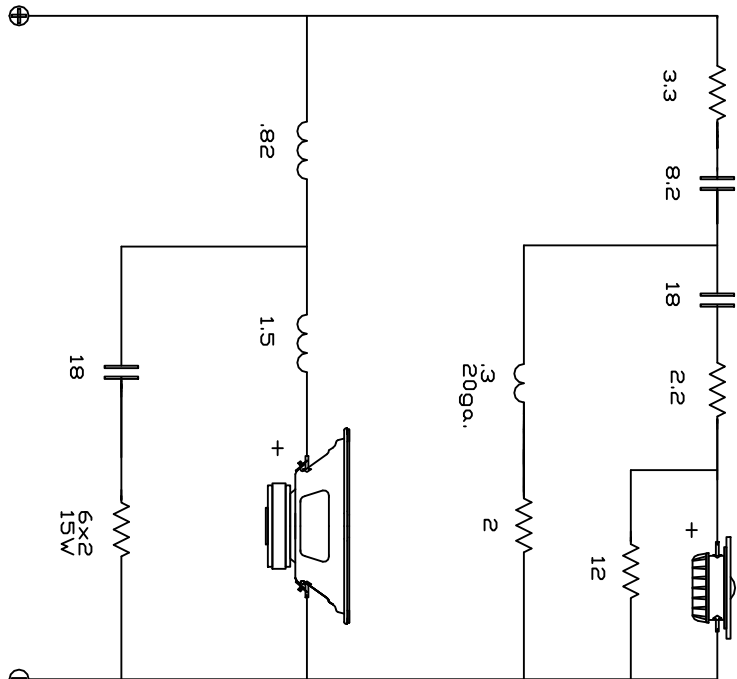
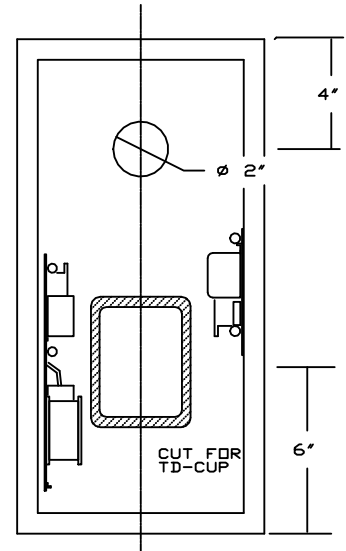
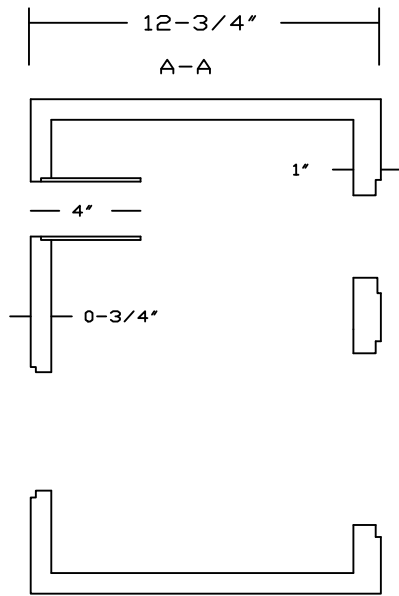
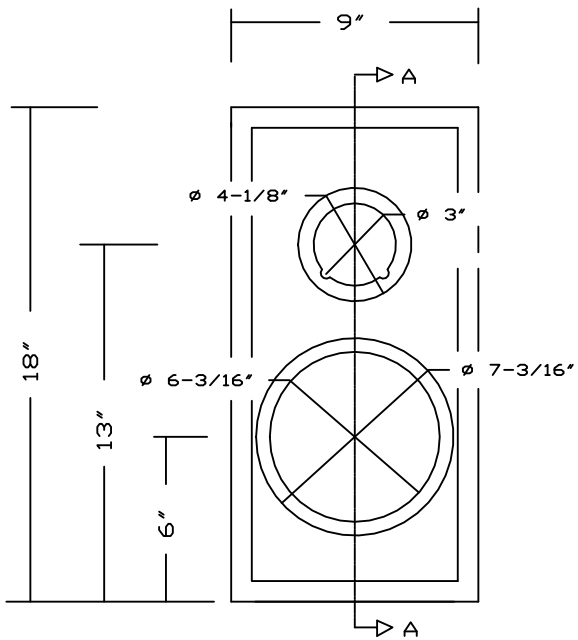
— DGL Entry: 6, Name:D2608/9130 VZD SPLD





18W / 4531G D2608 / 9130

FLAT ANECHOIC



18W/4531G
 D2608/9130
 .8FT3 NET

APPROVALS	DATE
T ROBERTS	9/15

MADISOUND SPEAKERS
 Rediscovery
 II